



## Style "MAS" Valve Assembly

### FEATURES

- Sizes 3/4" - 2"
- Cast Steel Body
- 316 Stainless Steel Trim
- Single-seated for dead end service
- Fully balanced
- Stainless steel valve stem
- "Lifetime" Teflon\* chevron stem maintenance-free packing
- Quick-disconnect stem construction
- Direct acting
- Choice of end connections

### GENERAL DESCRIPTION

The Robertshaw Type "MAS" valve is similar to the "MA" series but has a cast steel body for higher pressure and temperature service. It is available with screwed ends in sizes 3/4" through 1-1/2", with Class 150 raised face flanges in sizes 1-1/2" & 2", and with Class 300 raised face flanges in sizes 1" through 2".

### SPECIFICATION

**Type:** .....Single-seated, fully balanced

**Sizes:** ..... 3/4" through 2"

**Action:** .....Direct-acting only  
 (closes with downward stem movement)

Fully modulating in action.

**Connections:** ..... Female threaded ends, 3/4" through 1-1/2"

Class 300 ANSI flanges, 1" through 2"

Class 150 ANSI flanges, 1-1/2" & 2"

#### Materials:

**Valve Trim** .....Seats and poppets 316 stainless steel

**Valve Stem** ..... 316 stainless steel (highly finished)  
 Quick-detach type

**Stem Packing** ..... Teflon\* chevrons (spring-loaded)

**Valve Body** ..... Cast steel

**Other Parts** ..... Stainless steel

**Capacity:** ..... See Cv ratings in Dimensions table

#### Maximum Valve Design Ratings:

##### Maximum Pressure/Temperature:

**Class 150:** .....285 psi @ 100° F

230 psi @ 300° F

**Class 300:** .....740 psi @ 100° F

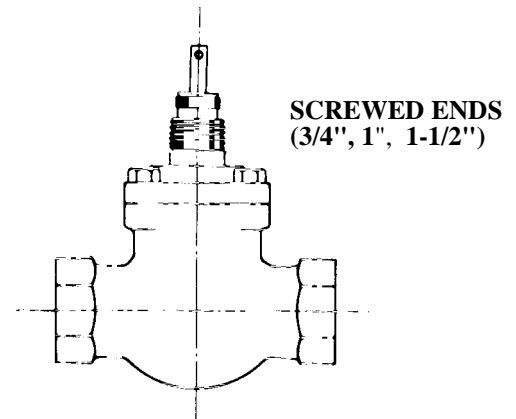
610 psi @ 450° F

##### Maximum Pressure Drop:

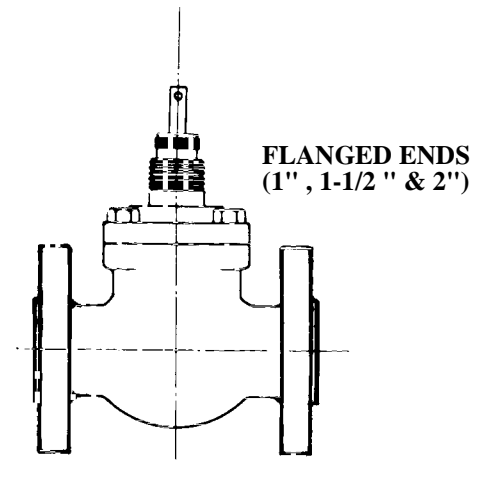
**3/4", 1", 1-1/2" size:** ..... 250 psi

**2" size:** ..... 150 psi

\* Teflon is a registered trademark of DuPont Company

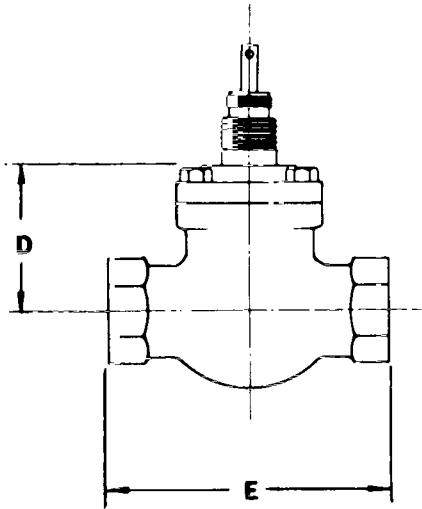


*Direct-acting only*

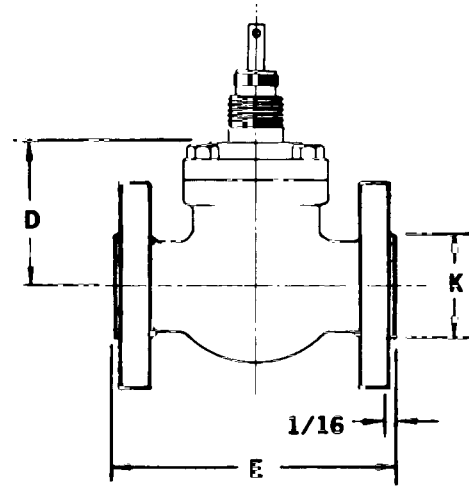


**DIMENSIONS**

Valve Size	C <sub>v</sub>	Class	Ends	D	E	Flange Dia.	Flange Thickness	Bolt Circle	Number Bolts	Bolt Hole Din.	K	Stroke
3/4	10.5	300	Screwed	3-7/16	5-3/4							1/4
1	12	300	Screwed	3-7/16	5-3/4							5/16
1	12	300	Flanged	3-7/16	5-7/8	4-7/8	5/8	3-1/2	4	3/4	2"	5/16
1-1/2	30	150	Flanged	5-31/32	8-3/4	5"	9/16	3-7/8	4	5/8	2-7/8	7/16
1-1/2	30	300	Screwed	5-31/32	8-13/16							7/16
1-1/2	30	300	Flanged	5-31/32	9-1/4	6-1/8	13/16	4-1/2	4	7/8	2-7/8	7/16
2	49	150	Flanged	7-9/16	10"	6"	9/16	4-3/4	4	3/4	3-5/8	9/16
2	49	300	Flanged	7-9/16	10-1/2	6-1/2	13/16	5"	8	3/4	3-5/8	9/16



3/4", 1", 1 1/2" SIZES  
(Screwed Ends)



1", 1 1/2", 2" SIZES  
(Flanged Ends)

**NOTE:** Maximum factory test allowable leakage is 0.01% of rated capacity at 50, 75 and 100 psi.



Robertshaw Industrial Products  
 1602 Mustang Drive  
 Maryville, Tennessee 37801  
 Phone: (865) 981-3100 Fax: (865) 981-3168  
<http://www.robertshawindustrial.com>