

Style "CSS" Valve Assembly

Features:

- Sizes 1/2", 3/4", 1"
- Single-Seated (Teflon Seal)
- Direct Acting, Reverse Acting
- Stainless Steel Construction

General Description

These valves are especially suited where single-seated construction and increased corrosion resistance is desired.

Valve stems of highly finished type 316 stainless steel feature quick-disconnect valve stem construction which permits removal of valve from the actuator without disturbing valve stem stroke adjustment in the upperworks.

Stainless steel body and trim make this valve ideal for most any process material and ambient conditions.

Specifications

Type: Single Seated. Direct or Reverse Acting.

Sizes: 1, 1/2", 3/4", 1"

Materials:

Stem 316 SS

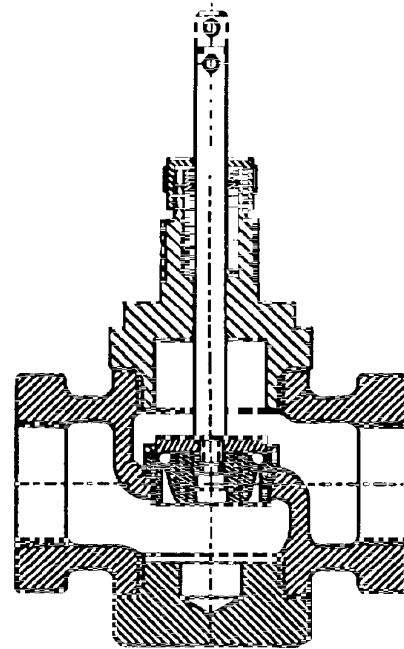
Plug 316 SS w/Teflon Seal

Seat Ring 316 SS

Body: CF8M (316 SS)

Packing: Teflon Chevrons with 316 SS Spring

Ends: Female Threaded



Other Parts: Stainless Steel

Maximum Leakage (Factory Test): 0.05% of rated flow at 50 psig ΔP (pressure drop) for Direct or Reverse Acting.

Maximum Pressure/Temperature: Press: 450 psig @ 100°F
 Temp: 450°F @ 450 psig

Flow (Preliminary)

Size	End Connection	Port Size	Action	Max. Pres. Drop	Cv	Max. Seat Leakage @ 50 Δ P	Flow	Unbalanced Area (sq. in.)	Travel
1/2"	1/2" NPT	1/2"	DA	100 Psig	2.3	31 cc/min.	EQ%	.30	3/8"
1/2"	1/2" NPT	1/2"	RA	100 Psig	23	31 cc/min.	EQ%	.23	3/8"
3/4"	3/4" NPT	3/4"	DA	100 Psig	7.3	98 cc/min.	EQ%	.60	3/8"
3/4"	3/4" NPT	3/4"	RA	100 Psig	7.3	98 cc/min.	EQ%	.52	3/8"
1"	1" NPT	1"	DA	100 Psig	9.5	127 cc/min.	EQ%	.89	3/8"
1"	1" NPT	1"	RA	100 Psig	9.5	127 cc/min.	EQ%	.81	3/8"
1/2"	1/2" NPT	1/4"	DA	100 Psig	.3 or .6	-	Lin.	.05	3/8"

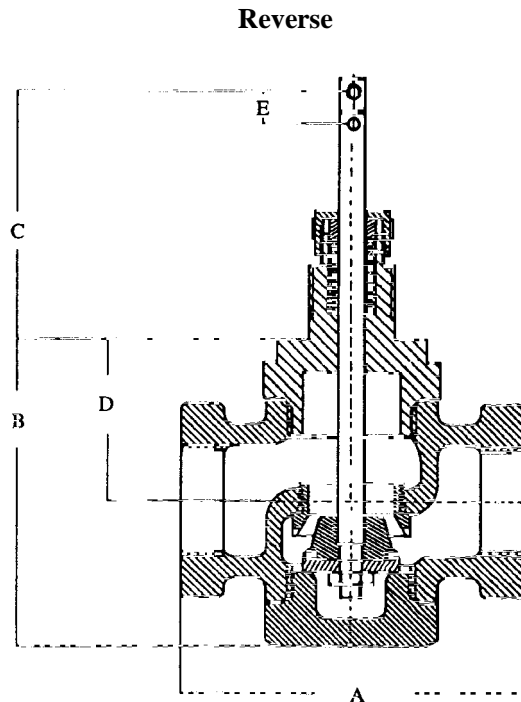
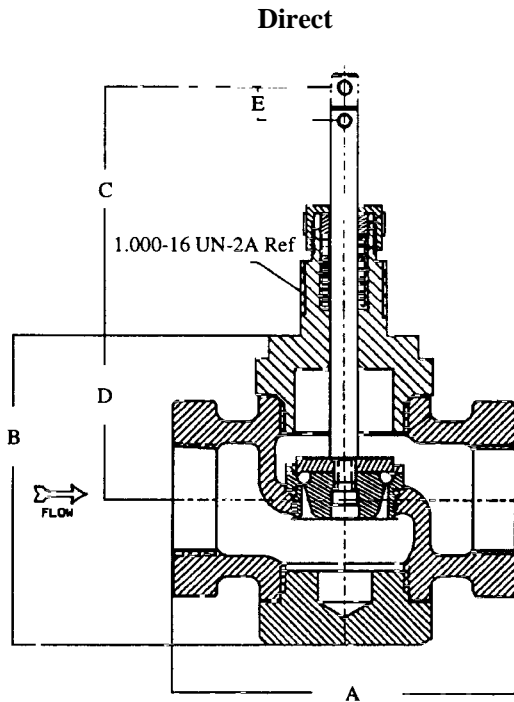
* Changes: Added Reduced Trim for D.A. and R.A.

TABLE 1

Nominal Valve Size	Port Size	Seat	Water Pressure PSIG	Stem Force Pounds	Maximum Leakage CC/Min.	Hydrostatic Test Pressure PSIG	Cv
1/2"	1/4"	HARD	50	9 - 12	8	450	0.3
1/2"	1/4"	HARD	50	9 - 12	16	450	0.6
1/2"	1/2"	SOFT	50	25 - 30	31	450	2.3
3/4"	1/2"	SOFT	50	25 - 30	31	450	2.3
3/4"	3/4"	SOFT	50	40 - 50	98	450	7.3
1"	1"	SOFT	50	65 - 70	127	450	9.5

* Approximately 0.05% of Valve Capacity for soft seat valves.
 Approximately 0.10% of Valve Capacity for hard seat valves.

DIMENSIONS:



TYPE	A	B	C	D	E
Direct	4.0"	3.616"	2.875"	1.906"	.375"
Reverse	4.0"	3.619"	2.875"	1.906"	.375"



Robertshaw Industrial Products
 1602 Mustang Drive
 Maryville, Tennessee 37801
 Phone: (865) 981-3100 Fax: (865) 981-3168
<http://www.robertshawindustrial.com>