

## Valve Body Assembly Style "BG"

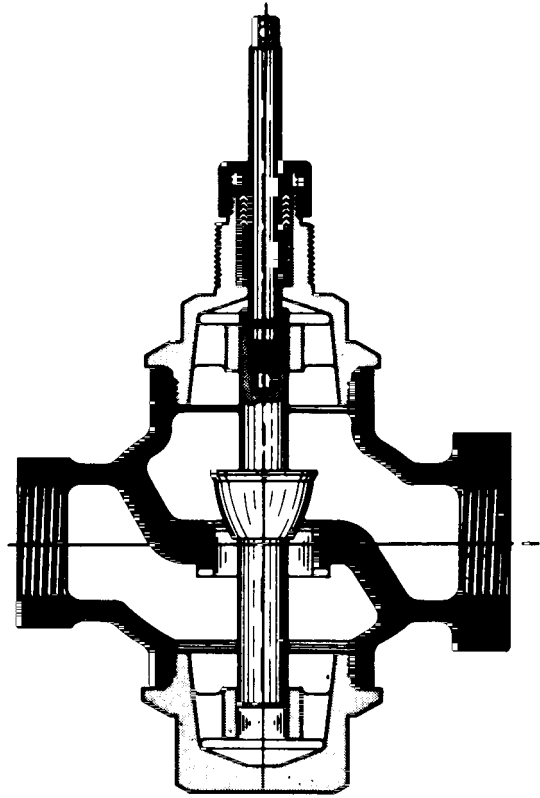
### FEATURES

- Sizes 1/2" thru 2"
- Single-Seated
- Unbalanced
- Top and Bottom Guided

### SPECIFICATIONS

**Type:** ..... Single-seated, unbalanced.  
**Ends:** ..... Screwed, female NPT.  
**Flow Characteristics:** ..... Equal percent.  
**Maximum Leakage (Factory Test):**  
 0.1% of rated valve capacity at 50 psi  
**Action:** ..... Direct(Push down to close). Stem Connection:  
 1/2" thru 1 1/2" ..... Quick-disconnect type  
 2" ..... Split block clamp.  
**Body Material:**  
 1/2" thru 1" ..... Brass, ASTM B584.  
 1 1/4" thru 2" ..... Brass, ASTM B62.  
**Trim Materials:** ..... 316 Stainless Steel.  
**Packing:** ..... Spring-loaded Chevrons (Teflon\*).\*  
**Temperature Limit:** ..... 400°F. (204°C.).  
**Maximum Pressure Drop:** ..... 125 psi.  
**Body Pressure Ratings:**  
 250 psi at 400° F. (204° C.).  
 300 psi at 100° F. (38° C.).

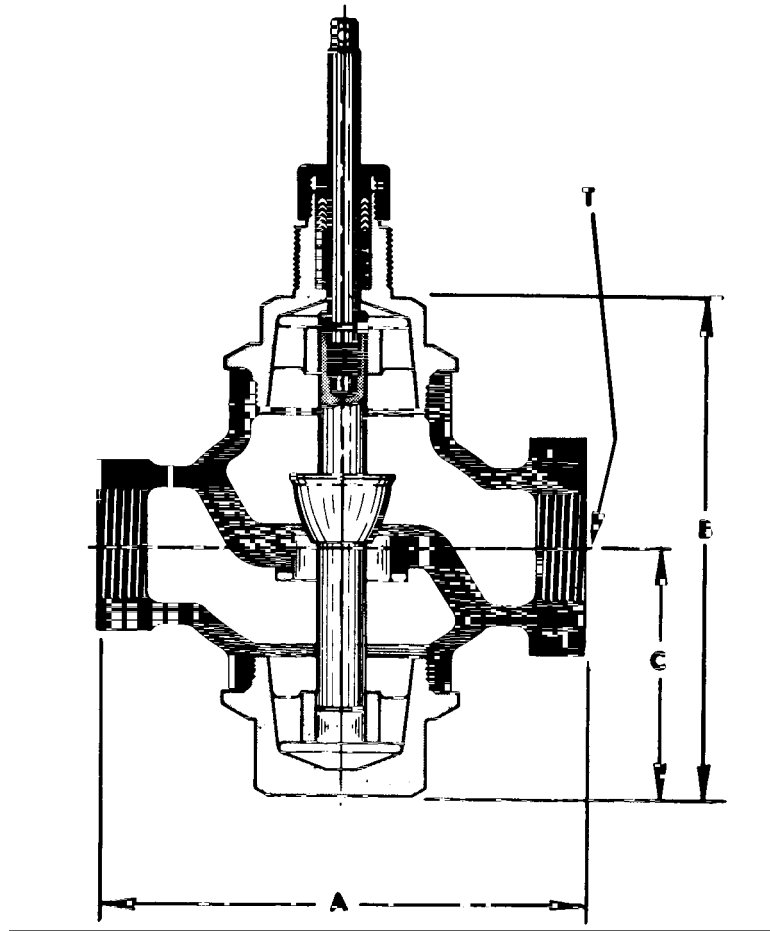
\* Registered trade name of DuPont Company.



### DIMENSIONS

Valve Size, In.	1/2"	3/4"	1"	1-1/4"	1-1/2"	2"
Cv	2.0	5.3	9.5	15	23	52
Valve Travel, In. (mm)	3/8 (9.5)	3/8 (9.5)	5/8" (15.9)	5/8" (15.9)	5/8" (15.9)	7/8" (22.2)
Unbalanced Area, Sq. In. (cm <sup>2</sup> )	.20 (1.29)	.44 (2.84)	.79 (5.10)	1.23 (7.94)	1.77 (11.4)	3.14 (20.3)
Direct-Acting Actuators	VC-230,A					VC-300A
Reverse-Acting Actuators	VC-231A					VC-301A

## DIMENSIONS



Valve Size, In.	1/2"	3/4"	1"	1-1/4"	1-1/2"	2"
Dimension A, In. (mm)	3 (76)	4 (102)	5 (127)	5 (127)	5 (127)	6-3/4 (171)
Dimension B, In. (mm)	3-5/8 (92)	3-15/16 (100)	5-11/16 (145)	5-11/16 (145)	5-11/16 (145)	6-1/16 (154)
Dimension C, In. (mm)	1-11/16 (43)	2 (51)	2-15/16 (75)	2-15/16 (75)	2-15/16 (75)	2-3/16 (56)
Thread "T" (NPT)	1/2 -14	3/4 - 14	1 - 11 1/2	1 1/4 - 11 1/2	1 1/2 - 11 1/2	2 - 11 1/2



**Robertshaw Industrial Products**  
 1602 Mustang Drive  
 Maryville, Tennessee 37801  
 Phone: (865) 981-3100 Fax: (865) 981-3168  
<http://www.robertshawindustrial.com>