

## Style "CSS" Valve Assembly

### Features:

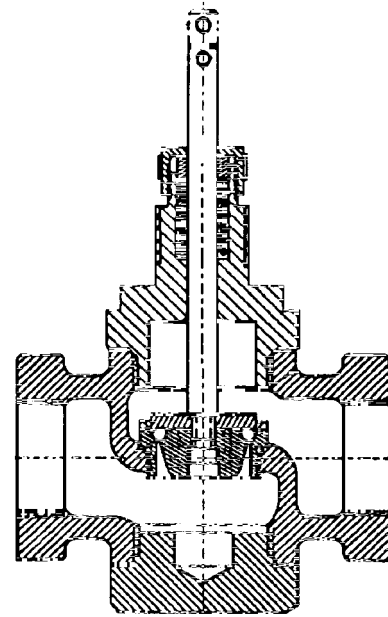
- Sizes 1/2", 3/4", 1"
- Single-Seated (Teflon Seal)
- Direct Acting, Reverse Acting
- Stainless Steel Construction

### General Description

These valves are especially suited for Temperature and Pressure Regulators where single-seated construction is desired.

Valve stems of highly finished type 316 stainless steel feature quick-disconnect valve stem construction which permits removal of valve from regulator without disturbing valve stem stroke adjustment in the upperworks.

Stainless steel body and trim make this valve ideal for most any process material and ambient conditions.



### Specifications

**Type:** .....Single Seated. Direct or Reverse Acting.

**Sizes:** ..... 1/2", 3/4", 1"

**Materials:**

*Stem* .....316 SS

*Plug* ..... 316 SS w/Teflon Seal

*Seat Ring* .....316 SS

**Body:** .....CF8M (316 SS)

**Packing:** ..... Teflon Chevrons with 316 SS Spring

**Ends:** ..... Female Threaded

**Other Parts:** ..... Stainless Steel

**Maximum Leakage**..... (Factory Test): 0.05% of rated flow at 50 psig  $\Delta P$  (pressure drop) for Direct or Reverse Acting.

**Maximum Pressure/Temperature:**

**Press:** ..... 450 psig @ 100°F

**Temp:** ..... 450°F @ 450 psig

**Flow (Preliminary)**

Size	End Connection	Port Size	Action	Max. Pres. Drop	Cv	Max. Seat Leakage @ 50 $\Delta P$	Flow
1/2"	1/2" NPT	1/4"	DA	100 psig	.3 or .6		Linear
1/2"	1/2" NPT	1/2"	DA	100 psig	2.3	31 cc/min.	Quick Opening
1/2"	1/2" NPT	1/2"	RA	100 psig	2.3	31 cc/min.	Quick Opening
3/4"	3/4" NPT	3/4"	DA	100 psig	7.3	98 cc/min.	Quick Opening
3/4"	3/4" NPT	3/4"	RA	100 psig	7.3	98 cc/min.	Quick Opening
1"	1" NPT	1"	DA	100 psig	9.5	127 cc/min.	Quick Opening
1"	1" NPT	1"	RA	100 psig	9.5	127 cc/min.	Quick Opening

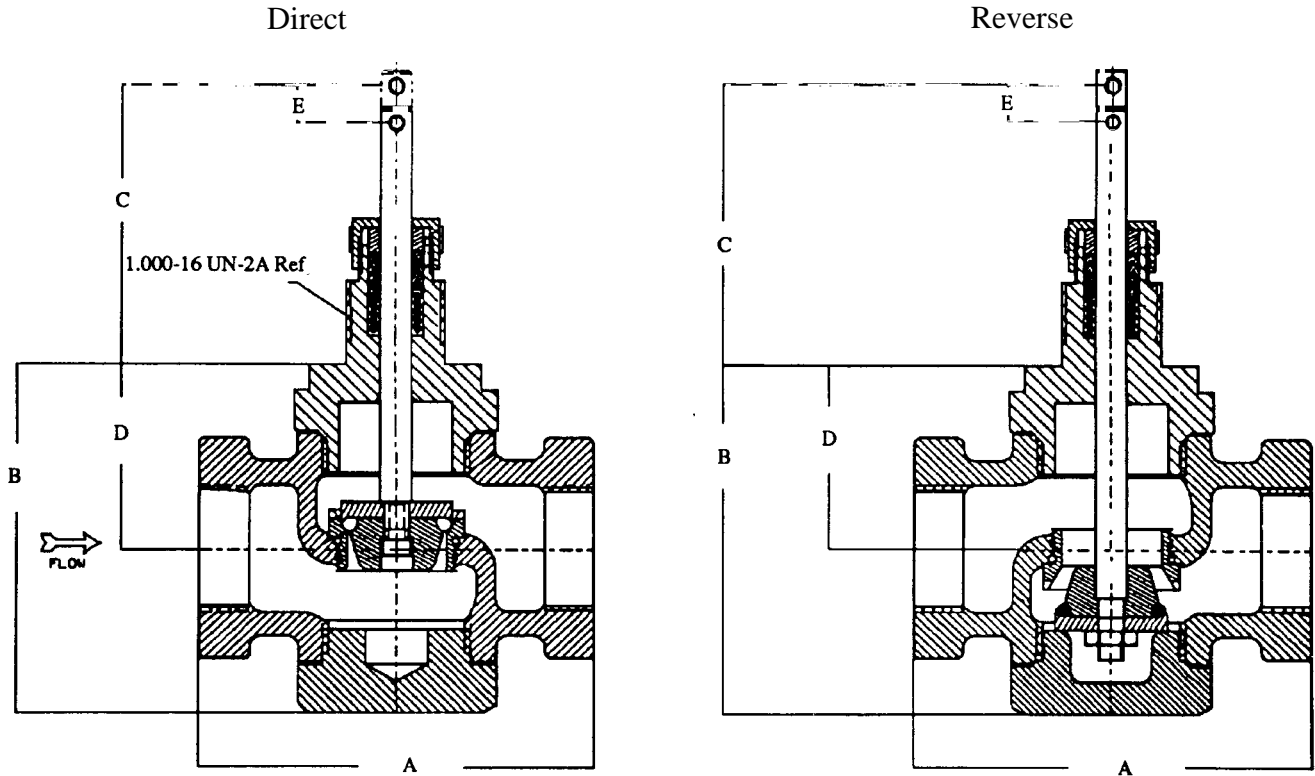
## Style CSS used with self-actuated temperature regulator -

The maximum supply pressure should not exceed the valve rating on front page. Maximum allowable pressure drop is limited by the unbalanced area of the valve port and the power developed by the regulator thermal assembly. Pressure drop figures shown in the following chart apply when the CSS valve is used with the self-actuated temperature regulator series.

### Maximum Recommended Pressure Drops, PSI

Valve Size In.	SATR Series					
	RT-1001	RT-1003	RT-1004	RT-1007	RT-1009	RT-1011
1/2"	65	100	100	100	100	100
3/4"	30	75	100	50	75	75
1"	15	40	75	30	40	40

### DIMENSIONS:



TYPE	A	B	C	D	E
Direct	4.0"	3.616"	2.875"	1.906"	.375"
Reverse	4.0"	3.619"	2.875"	1.906"	.375"



Robertshaw Industrial Products  
 1602 Mustang Drive  
 Maryville, Tennessee 37801  
 Phone: (865) 981-3100 Fax: (865) 981-3168  
<http://www.robertshawindustrial.com>