

Style 'A' Valve Assembly

FEATURES

- Single Seated
- Direct Acting 1/4" - 1"
- Reverse Acting 1/4" - 1 1/2"
- Teflon* Chevron or Rubber U-Cup maintenance - free Packing
- Quick disconnect stem construction

These valves are especially suited for Temperature Regulators where single-seated construction is desired.

Valve stems of highly finished type 316 stainless steel feature quick-disconnect valve stem construction which permits removal of valve from regulator without disturbing valve stem stroke adjustment in the upper works.

SPECIFICATIONS

Type: Single seated.

Sizes: 1/2" through 1-1/2" (See Cv Ratings Table. Some reduced ports available.)

Action:

Direct Acting Closes downward for heating service.

Reverse Acting Opens downward for cooling service.

Materials:

Valve Trim (Seat and both plugs) stainless steel.

Valve Stem Type 316 St. St. quick detach type.

Stem Packing

Direct Acting: Spring loaded chevrons (Teflon*).

Reverse Acting: Rubber U-cup.

Body Brass

Unions Bronze

Other Parts Bronze

Maximum Valve Design Ratings

(Supply Pressure and Allowable Pressure Drop)

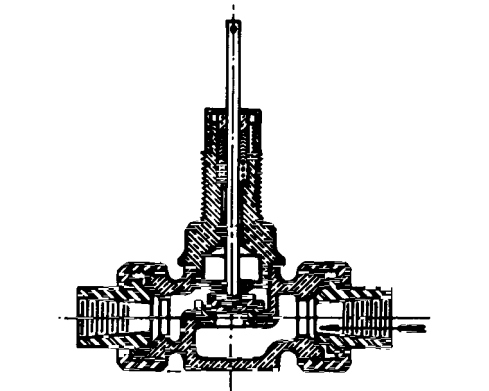
Valve Design Ratings

Maximum Supply Pressure: 225 psi at 100°F.

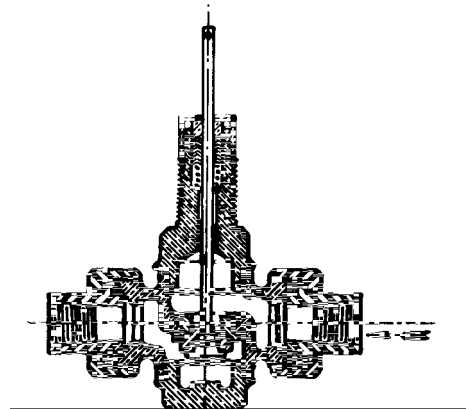
Maximum Temperature: 400° F at 150 psi

Maximum Pressure Drop: 1/2" or smaller, 125 psi;
 3/4", 100 psi; 1", 75 psi; 1 1/4" and 1 1/2", 50 psi.

* Teflon is a DuPont company registered trade name



Direct Acting



Reverse Acting

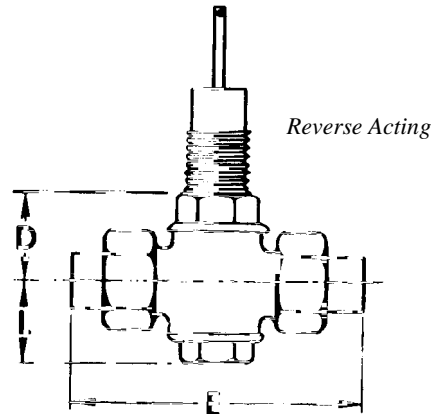
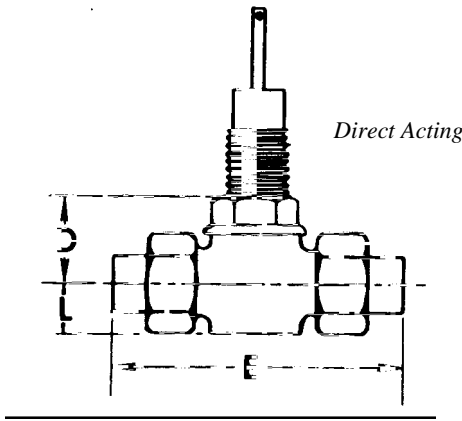
Type "A" Valve used with self-actuated temperature regulator -

The maximum supply pressure should not exceed the valve rating on front page. Maximum allowable pressure drop is limited by the unbalanced area of the valve port and the power developed by the regulator thermal assembly. Pressure drop figures shown in the following chart apply when the "A" valve is used with the self-actuated temperature regulator series.

Maximum Recommended Pressure Drops, PSI*

Valve Port, In.	SATR SERIES							
	RT-1001	RT-1003	RT-1004	RT-1006	RT-1007	RT-1008	RT-1009	RT-1011
1/4	125	125	125	125	125	125	125	125
3/8	115	125	125	125	125	125	125	125
1/2	65	125	125	90	110	125	125	125
3/4	30	75	100	40	50	75	75	75
1	15	40	75	20	30	40	40	40
1 1/4	10	25	45	-	20	25	25	25
1 1/2	7	20	30	-	10	20	20	20

*Supply pressure to valve less any back pressure to the valve.



INSTALLATION DIMENSIONS

Valve Body Size, In.	1/2	3/4	1	1-1/4	1-1/2
D*	1-9/16	2-1/16	2-1/16	2-5/8	3-1/16
E	4-3/4	6-3/16	6-1/4	7-13/16	8-11/16
L (Direct-acting)	15/16	1-1/4	1-1/4	2	2-3/16
L (Rev.-acting)	1-11/16	1-13/16	1-13/16	2-9/16	3-1/16

Subject to change without notice.

Cv Ratings; Porting Available

Valve Size, in.	1/2		3/4		1		1-1/4		1-1/2
	1/4	3/8	1/2	3/4	3/4	1	1-1/4	1-1/2	
Direct-acting	1.0	1.6	2.1	3.6	5.7	6.1	6.9	-	-
Reverse-acting	0.8	2.9	3.2	-	5.9	-	8.2	19.4	27.6

NOTE: Maximum factory test allowable leakage:

1/2" to 1" size - 0.05% of rated valve capacity at 50 psi.

1 1/4" & 1 1/2" sizes - 0.05% of rated valve capacity at 20 psi.



Robertshaw Industrial Products
 1602 Mustang Drive
 Maryville, Tennessee 37801
 Phone: (865) 981-3100 Fax: (865) 981-3168
<http://www.robertshawindustrial.com>