



Self-Actuated Temperature Regulator RT-1003 Series

FEATURES

1. Large two-ply, seamless bellows used for long life and extra power.
2. Over-temperature protection is standard feature.
3. Chevron "Lifetime" stem packing made of Teflon* or EPT Rubber U-Cup for water service.
4. Quick-detach valve stem construction permits easy valve change.
5. Sturdy construction with cast iron frame.
6. High quality indicating thermometer on regulators RT-1003-E1 and RT-1003-F1.
7. Variety of Sensing Bulb forms and materials available.
8. Valves in wide range of sizes, actions, styles, materials, etc. for many services.
9. Capillary Selection.
10. Setpoint adjustment wheel.

*Registered tradename of Dupont Company.

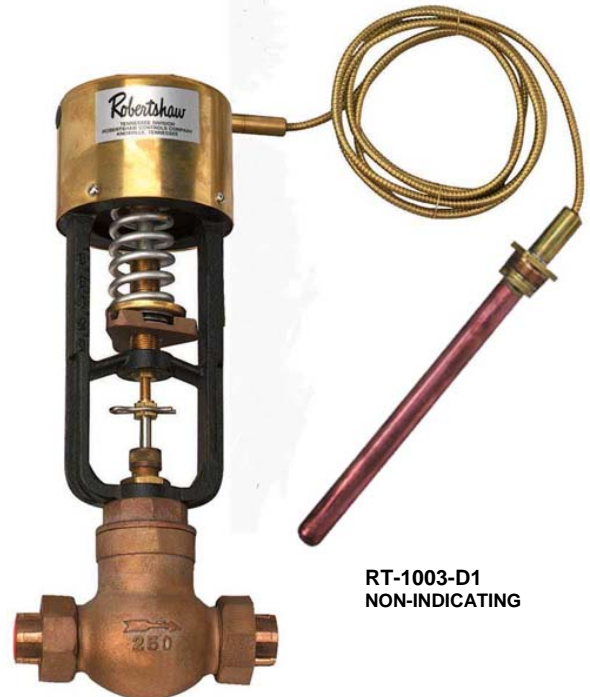
GENERAL

Without need for external power, Robertshaw Self-Actuated Temperature Regulators (SATR) offer final control of the temperature of a liquid, an air space or flow, or gas flow for domestic, equipment, process, space, etc. on heating or cooling service.

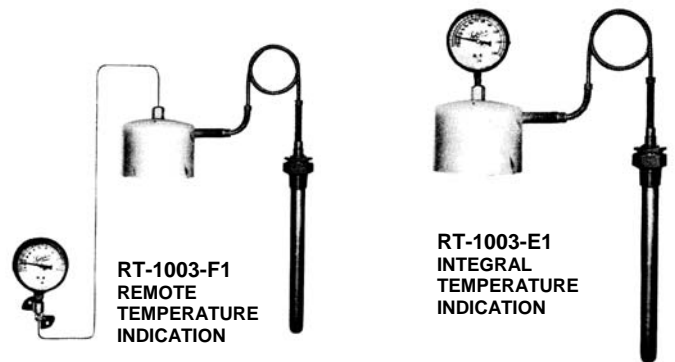
The SATR sensing bulb is installed in the medium being controlled while the SATR valve is located on the supply line of the medium used as the heating (steam, hot water) or cooling (water, ethylene glycol, brine) agent. The SATR regulates the heating or cooling medium flow to maintain the desired temperature at the sensing bulb location. Robertshaw SATRs are usually cataloged to detail the two-way direct acting (close on temperature rise) type valves for heating service. Two-way reverse-acting (open on temperature rise) and three-way valves are equally available for cooling service.

The Robertshaw SATR series offers a selection of: **Throttling bands, Temperature Indication, Fail-safe** to prevent overheating, Manual Positioning in addition to automatic control, **Corrosive atmosphere resistant type, Small overall size** and **instantaneous heat exchanger service.**

Most cataloged Robertshaw SATR specifications are starting points from which many alternates to cataloged capillary, sensing bulb, separable well and valve may be FURNISHED TO MEET YOUR SPECIFIC application's needs.



RT-1003-D1
 NON-INDICATING



RT-1003-F1
 REMOTE
 TEMPERATURE
 INDICATION

RT-1003-E1
 INTEGRAL
 TEMPERATURE
 INDICATION

*Sizes 1/4" through 4"
 Medium Throttling Band*

HOW TO ORDER

1. Quantity
2. Size
3. Series number
4. Setpoint and/or setpoint range
5. Capillary specs
6. Sensing bulb specs
7. Valve type, action, ends, etc.
8. Other features
9. Shipping - invoice instructions

The RT-1003 Series

The RT-1003 series is a versatile design (the workhorse of the line) suitable for most SATR applications. It has more power and greater sensitivity than the RT-1001-B1 series but less than the RT-1004-A1 series. It offers integral or remote temperature indication whereas the other two series are cataloged as non-indicating. Related designs are the RT-1009-A1, B1, C1 for manual positioning in addition to automatic control; and RT-1011-B1 for corrosive atmosphere service.

VALVE SIZING

Valve sizing is critical to control and life of regulator. Use Robertshaw's "FLO-RULE" Valve Sizing Slide Rule and valve Cv chart or contact our representative or factory. The application requirement can frequently be satisfied by one or two sizes smaller valve than the supply pipeline size.

Note 1 - IMPORTANT - If valve seat leakage can cause a problem or a hazard, the following should be taken into account. Maximum leakage of new valves: single-seated Types A, CSS, WA & WCSS - 0.05% of full open valve capacity; single-seated Type WD - 1% of full open valve capacity; single-seated Types MA & MAS - 0.01% of full open valve capacity; double-seated Type FA - 0.5% of full open valve capacity. This leakage will usually increase somewhat as the valve seats wear in service.

Note 2 - IMPORTANT - Damage to or failure of the thermal element with loss of charge will ordinarily result in the regulator going to the "cold" position. The valve stem moves "up" (toward the bellows) - thus a "direct-acting" valve will fully open, a "reverse-acting" valve will close, and a 3-way valve will open the Normally Open port.

For cataloging and pricing purposes, the RT-1003-D1, E1, F1 series is detailed with direct acting valves for heating service, 8 ft. capillary (copper tube/ brass armor),

12B type (threaded bushing) copper sensing bulb and cast iron frame. Other non-listed parts are made of non-ferrous materials. Alternate specifications are available.

Valve size, Inches	1/4	3/8	1/2	3/4	1	1-1/4	1-1/2	2	2-1/2	3	4
Valve type, Direct acting (closes with rising temperature at bulb)	Single-Seated			Single-Seated, Balanced				Double Seated, Semi-Balanced			
	A	A	A	MA	MA	MA	MA	MA	FA	FA	FA
End Connections	1/2" Screwed Brass Unions			Screwed Brass Unions				Flanged (125 lbs. ANSI)			
Valve trim (poppet and seat) material	S. S.	S. S.	S. S.	S. S.	S. S.	S. S.	S. S.	S. S.	S. S.	S. S.	S. S.
Valve stem (highly finished) material	S. S.	S. S.	S. S.	S. S.	S. S.	S. S.	S. S.	S. S.	S. S.	S. S.	S. S.
Stem packing (spring loaded chevrons)	Teflon	Teflon	Teflon	Teflon	Teflon	Teflon	Teflon	Teflon	Teflon	Teflon	Teflon
Valve body material	Bronze	Bronze	Bronze	Bronze	Bronze	Bronze	Bronze	Cast Iron	Cast Iron	Cast Iron	Cast Iron
Body rating, psi	225	225	225	250	250	250	250	175	175	175	175
Pressure drop limit, psi (For higher pressures, consult our representative)	125	125	125	250	250	250	250	100	65	55	40
Full open Cv	1.0	1.6	2.1	9.5	13.0	18.6	25.0	45.0	82.5	130.0	226.0

Adjustable Ranges:

The RT-1003 series is available with any of the ranges listed below. The range should be selected so that the setpoint falls within the upper third of the range span.

Setpoint Adjustment Range	Matching Setpoint Temperature Indication
10° - 55° F.	-60° - + 80° F.
30° - 80° F.	40° - +1 10° F.
50° - 105° F.	-10° - +130° F.
75° - 130° F.	10° - 160° F.
105° - 165° F.	30° - 195° F.
115° - 175° F.	40° - 205° F.
155° - 210° F.	80° - 245° F.
165° - 215° F.	100° - 240° F.
190° - 240° F.	130° - 265° F.
200° - 250° F.	130° - 280° F.
225° - 280° F.	160° - 310° F.
245° - 300° F.	170° - 330° F.
265° - 315° F.	180° - 350° F.

ALTERNATES INCLUDE:

Capillary:

- Length*1 ft. to 50 ft. or more
- Materials*Copper tube with brass armor (standard) or 304 stainless steel tube with SS braid

Sensing Bulbs:

- Type 12B* Copper (standard)
- Type 12BP* 316 stainless steel
- Type 12B or 12BP* With dead extension
- Type 54* Copper, externally finned, plain (54A), bushed (54J) or flanged (54K)
- Type 6* Plain for open vessels, copper with copper tube and brass armor (6A), 316 SS with 304 SS tube and no braid (6AP)

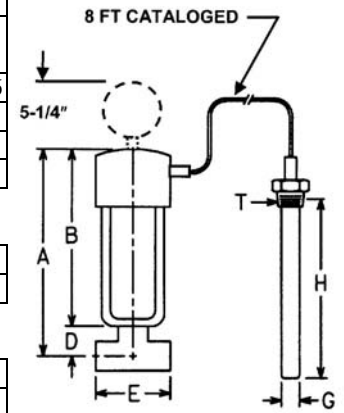
Separable Wells (For sensing bulb protection or ease of removal):

- Material* 316 SS
- Type GA or GA with lagging extension* mounting thread one size larger than bulb size
- Type GB* mounting thread same size as bulb size

Valves: Types A, CSS, FA, MA, MAS, WA, WCSS, WD as illustrated

RT-1003 Series Dimensions, Shipping Weights and Sensing Bulb Sizes

Valve Size, Inches	1/4	3/8	1/2	3/4	1	1-1/4	1-1/2	2	2-1/2	3	4
Direct-Acting Valve Type	A	A	A	MA	MA	MA	MA	MA	FA	FA	FA
A	13-7/16	13-7/16	13-7/16	15-5/16	15-5/16	15-1/2	16	16-3/16	16-5/8	16-5/8	17-11/16
B	11-7/8	11-7/8	11-7/8	11-7/8	11-7/8	11-7/8	11-7/8	11-7/8	11-7/8	11-7/8	11-7/8
D	1-9/16	1-9/16	1-9/16	3-7/16	3-7/16	3-5/8	4-1/8	4-15/16	4-3/4	4-3/4	5-13/16
E	4-3/4	4-3/4	4-3/4	6-15/16	7-1/8	7-1/2	8-1/2	7	7-3/4	8-5/8	10-1/4



Regulator No.	Shipping Weight, Lbs.										
RT-1003-D1	27	27	27	29	32	37	43	68	68	75	104
RT-1003-E1 F1	29	29	29	31	34	39	45	70	70	77	106

Standard bulb for temperature ranges beginning at 120°F or above.

G	1	1	1	1	1	1	1	1	1	1	1
H	11	11	11	11	14	14	18	18	14	18	18
T*	1	1	1	1	1	1	1	1	1	1	1

****Standard bulb for temperature ranges beginning below 120°F.**

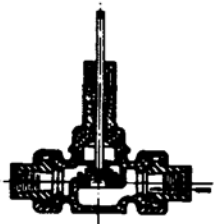
G	1-1/4	1-1/4	1-1/4	1-1/4	1-1/4	1-1/4	1-1/4	1-1/4	1-1/4	1-1/4	1-1/4
H	18	18	18	18	20	20	24	24	20	24	24
T*	1-1/4	1-1/4	1-1/4	1-1/4	1-1/4	1-1/4	1-1/4	1-1/4	1-1/4	1-1/4	1-1/4

* Standard pipe thread

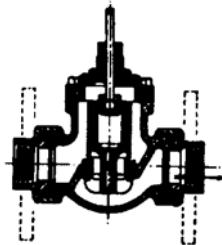
** Bulb sizes for ranges beginning below 120°F are necessary to provide "cross ambient" charge. This assures operation with ambient temperatures either above or below the control setting. Under some conditions, smaller bulbs may be used with lower ranges. If the larger bulb cannot be used, consult the factory or nearest representative.

SATR Valves for RT-1003 series (See Valve Spec Sheet for details)

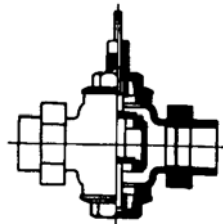
Two Way



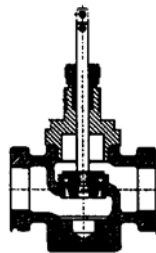
Style A
 Union Ends
 Single Seated, Unbalanced
 Bronze Body, SS Trim
 Direct Acting
 Sizes 1/4" – 1"
 Reverse Acting
 Sizes 1/4" – 1-1/2"



Style MA & MAS
 Single Seated, Fully Balanced
 Direct Acting Only
 SS Trim
 MA Sizes 3/4" – 1-1/2"
 Union Ends, Bronze Body
 MA Size 2", Flanged
 Bronze or CI Body
 MAS Sizes 1" – 2"
 Flanged, Steel Body
 MAS Sizes 3/4" – 1-1/2"
 Threaded Ends, Steel Body

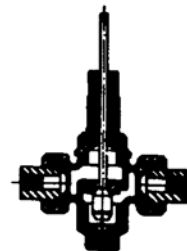


Style FA
 Double Seated, Semi-Balanced
 Rev. Acting: 3/4" – 1-1/2"
 Bronze Unions, Bronze Body
 Bronze or Monel Trim
 Rev. Acting: 2", Flgd, Br Body
 Bronze or Monel Trim
 Rev. Acting: 2", Flgd, CI Body
 Bronze or SS Trim
 Rev. Acting: 2-1/2" – 4"
 Flgd, Br Body, Monel Trim
 Rev. Acting: 2-1/2" – 4"
 Flanged, CI Body, SS Trim
 Dir. Acting: 2-1/2" – 4"
 Flanged, CI Body, SS Trim

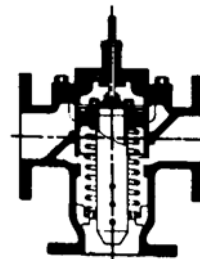


Style CSS
 Single Seated, Unbalanced
 Teflon Seal
 Stainless Steel Body & Trim
 Sizes 1/2", 3/4" & 1"
 Direct & Rev. Acting
 Screwed Ends

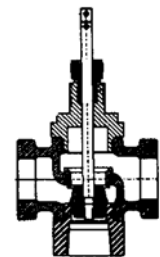
Three Way



Style WA
 Single Seated, Unbalanced
 Union Ends (2)
 Threaded End (Bottom)
 Sizes 1/2" – 1-1/2"
 Bronze Body
 SS Trim



Style WD
 Single Seated, Balanced
 Sizes 2" – 2-1/2"
 Flanged
 Bronze Body
 Bronze Trim



Style WCSS
 Single Seated, Unbalanced
 Stainless Steel Body & Trim
 Sizes 1/2", 3/4" & 1"
 Screwed Ends



U.S.A. & Canada

Robertshaw Industrial Products
1602 Mustang Drive
Maryville, Tennessee 37801
Phone: (865) 981-3100 Fax: (865) 981-3168
<http://www.robertshawindustrial.com>

Exports

Invensys Appliance Controls
1701 Byrd Avenue
P.O. Box 26544
Richmond, Virginia 23261-6544
Phone: (804) 756-6500 Fax: (804) 756-6561

Invensys®



Self Actuated Temperature Regulator RT-1003-P, Q, R, S, T & U

FEATURES

1. Large two-ply, seamless bellows used for long life and extra power.
2. Over-temperature protection is standard feature.
3. Chevron "Lifetime" stem packing made of Teflon.
4. Quick-detach valve stem construction permits easy valve change.
5. Sturdy construction with cast iron frame.
6. Setpoint Adjustment Wheel
7. Type 12B (threaded bushing) copper sensing bulb for through-wall or over-the-side installation.
8. Single-seated, balanced valves in 3/4" - 2" sizes and 1/2" unbalanced size. Direct Acting.
9. 8 foot capillary - copper tube/brass armor.

GENERAL

Without need for external power, Robertshaw Self-Actuated Temperature Regulators (SATR) offer final control of the temperature of a liquid, an air space or flow, or gas flow for domestic, equipment, process, space, etc.

The SATR sensing bulb is installed in the medium being controlled while the SATR valve is located on the supply line of the medium used as the heating (steam, hot water). The SATR regulates the heating or cooling medium flow to maintain the desired temperature at the sensing bulb location.

The cataloged Robertshaw SATR series offers a selection of: **Throttling bands, Temperature Indication, Fail-safe** to prevent overheating, **Manual Positioning** in addition to automatic control, **Corrosive atmosphere resistant type, Small overall size** and **instantaneous heat exchanger service.**

Most cataloged Robertshaw SATR specifications are starting points from which many alternates to cataloged capillary, sensing bulb, separable well and valve may be FURNISHED TO MEET YOUR SPECIFIC application's needs.

NON-INDICATING



FOR HEATING SERVICE ONLY

Sizes 1/2" - 2"

Medium Throttling Band
Fixed Specification

RT-1003-P, Q, R, S, T, & U series

The RT-1003-P, Q, R, S, T, & U series is essentially the same as the non-indicating RT-1003-D1 series. The difference is that the specifications are fixed with a selection of valve size and setpoint adjustment range combinations as determined on the back side.

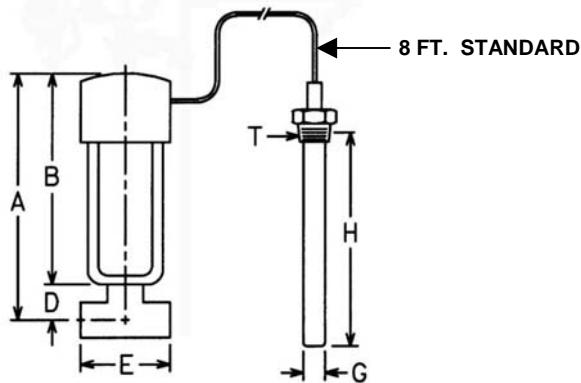
In general, the RT-1003 series is a versatile design which is suitable for most general applications involving heating service. The valve tends to close the heat source supply line as the temperature rises at the sensing bulb. The control normally modulates around the setpoint to maintain the desired temperature of the medium being heated.

HOW TO ORDER

1. Quantity
2. Size
3. Series Number
4. Setpoint adjustment range
5. Other Features
6. Shipping - invoice instructions

The RT-1003-P, Q, R, S, T and U series, for heating service only, is detailed below. The capillary length is 8 ft. (copper tube/ brass armor). The 12B type copper sensing bulb has a NPT threaded connection or the bushing can be removed for over-the-wall installation. The frame is cast iron while all non-listed parts are of non-ferrous metals.

Valve size, Inches	1/2	3/4	1	1-1/4	1-1/2	2
Valve Type, Direct-acting (closes with rising temperature at bulb)	Single-Seated		Single-seated, Balanced			
	A	MA	MA	MA	MA	MA
End Connections	Screwed Unions					Flanged (125 lb ANSI)
Valve Trim (poppet and seats), Material	S.S.	S.S.	S.S.	S.S.	S.S.	S.S.
Valve Stem (highly finished), Material	S.S.	S.S.	S.S.	S.S.	S.S.	S.S.
Stem Packing (spring loaded chevrons)	Teflon	Teflon	Teflon	Teflon	Teflon	Teflon
Body Material	Bronze	Bronze	Bronze	Bronze	Bronze	Cast Iron
Body Rating, Pounds	225	250	250	250	250	175
Pressure Drop Limit, psi (For higher pressures, consult our representative)	125	250	250	250	250	100
Full open Cv	2.1	9.5	13.0	18.6	25.0	45.0



Dimensions, Shipping Weights and Sensing Bulb Sizes

Dimensions

Valve Size, Inches	1/2	3/4	1	1-1/4	1-1/2	2
Direct-acting Valve, Type	A	MA	MA	MA	MA	MA
A	13-7/16	15-5/16	15-5/16	15-1/2	16	16-3/16
B	11-7/8	11-7/8	11-7/8	11-7/8	11-7/8	11-7/8
D	1-9/16	3-7/16	3-7/16	3-5/8	4-1/8	4-15/16
E	4-3/4	6-15/16	7-1/8	7-1/2	8-1/2	7

Shipping Weight, Lbs.

	27	29	32	37	43	68
--	----	----	----	----	----	----

Standard bulb for temperature ranges beginning at 120° F. or above.

G	1	1	1	1	1	1
H	11	11	14	14	18	18
T•	1	1	1	1	1	1

****Standard bulb for temperature ranges beginning below 120° F.**

G	1-1/4	1-1/4	1-1/4	1-1/4	1-1/4	1-1/4
H	18	18	20	20	24	24
T'	1-1/4	1-1/4	1-1/4	1-1/4	1-1/4	1-1/4

Instrument Number Suffix Indication of Size and Range

Valve Size:

Alphabetical Suffix	Size (Full Port)
P	1/2"
Q	3/4"
R	1"
S	1-1/4"
T	1-1/2"
U	2"

Setpoint Adjustment Range:

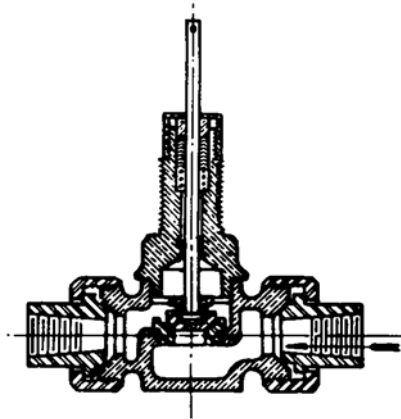
Note: Select span so that setpoint will fall in the upper third of range for the most sensitive control.

Numerical Suffix	Corresponding Range
5	75° - 130°F
9	105° - 165°F
8	165° - 215°F

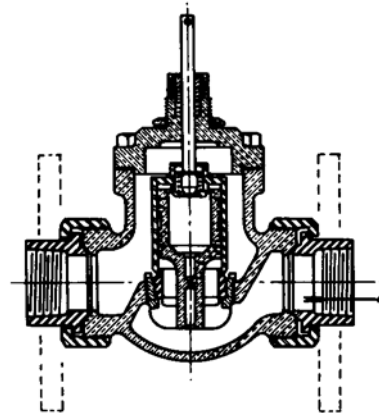
Example:

RT-1003-R8 would have a 1" valve and a 165° - 215° F range

SATR Valves used on RT-1003-P, Q, R, S, T & U Series
 (See Valve Specification Sheet for full details)



Style A
 Union Ends
 Single Seated
 Unbalanced
 Direct Acting
 Size - 1/2"
 Bronze Body
 SS Trim



Style MA
 Single Seated
 Fully Balanced
 Direct Acting
 SS Trim
 Sizes 3/4" - 1-1/2"
 Union Ends
 Bronze Body
 Size 2"
 Cast Iron Body
 Flanged

NOTE: VALVE SIZING is critical to control and life of regulator. Use Robertshaw's "Flo-Rule" Valve Sizing Slide Rule and valve Cv chart or contact our representative or factory. The application requirement can frequently be satisfied by one or two sizes smaller valve than supply pipeline size.

Note 1 - IMPORTANT - If valve seat leakage can cause a problem or a hazard, the following should be taken into account. Maximum leakage of new valves: single-seated Type A - 0.05% of full open valve capacity; single-seated balanced Type MA - 0.01% of full open valve capacity. This leakage will usually increase somewhat as the valve seats wear in service.

Note 2 - IMPORTANT - Damage to or failure of the thermal element with loss of charge will result in the regulator going to the "cold" position. The valve stem moves "up" (toward the bellows)-thus the "direct-acting" valve will fully open.



U.S.A. & Canada

Robertshaw Industrial Products
1602 Mustang Drive
Maryville, Tennessee 37801
Phone: (865) 981-3100 Fax: (865) 981-3168
<http://www.robertshawindustrial.com>

Exports

Invensys Appliance Controls
1701 Byrd Avenue
P.O. Box 26544
Richmond, Virginia 23261-6544
Phone: (804) 756-6500 Fax: (804) 756-6561

Invensys®

Q-4037 (11/04)

Printed in U.S.A.



Self-Actuated Temperature Regulator RT-1009 Series

FEATURES

1. Large two-ply, seamless bellows used for long life and extra power.
2. Valve can alternately be manually positioned or thermostatically operated.
3. Over-temperature protection is standard feature.
4. Chevron "Lifetime" stem packing made of Teflon* or ETP Rubber U-Cup for water service.
5. Quick-detach valve stem construction permits easy valve change.
6. Sturdy construction with cast iron frame.
7. High quality indicating thermometer on regulators RT-1009-B1 and RT-1009-C1
8. Variety of sensing bulb forms and materials. (See inside pages).
9. Valves in wide range of sizes, actions, styles, materials, etc. for many types of service. (See inside pages).
10. Capillary selection (See inside pages).
11. Setpoint adjustment wheel.

*Registered Tradename of DuPont Company.

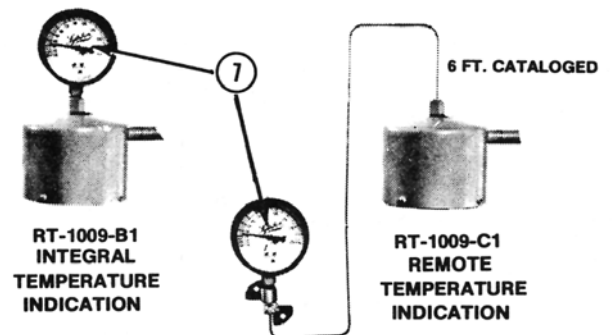
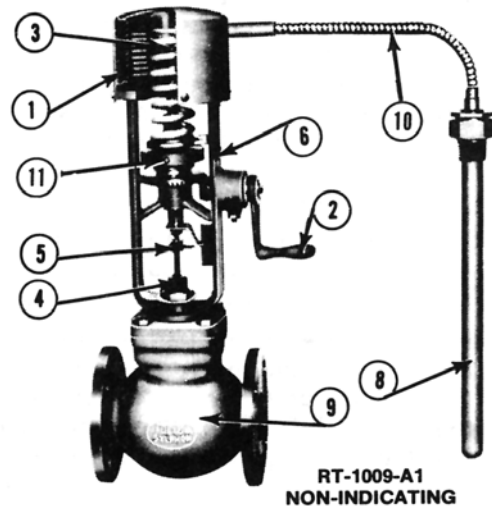
GENERAL

Without need for external power, Robertshaw Self-Actuated Temperature Regulators (SATR) offer final control of the temperature of a liquid, an air space or flow, or gas flow for domestic, equipment, process, space, etc. on heating or cooling service.

The SATR sensing bulb is installed in the medium being controlled while the SATR valve is located on the supply line of the medium used as the heating (steam, hot water) or cooling (water, ethylene glycol, brine) agent. The SATR regulates the heating or cooling medium flow to maintain the desired temperature at the sensing bulb location. Robertshaw SATR are usually cataloged to detail the two-way direct acting (close on temperature rise) type valves for heating service. Two-way reverse-acting (open on temperature rise) and three-way valves are equally available for cooling service.

The cataloged Robertshaw SATR series offers a selection of: **Throttling bands, Temperature Indication, Fail-safe** to prevent overheating, **Manual Positioning** in addition to automatic control, **Corrosive atmosphere resistant type, Small overall size and instantaneous heat exchanger service.**

Most cataloged Robertshaw SATR specifications are starting points from which many alternates to cataloged capillary, sensing bulb, separable well and valve may be FURNISHED TO MEET YOUR SPECIFIC application's needs.



With Manual Override
 Sizes 1/4" - 4"

HOW TO ORDER

1. Quantity
2. Size
3. Series number
4. Setpoint and/or setpoint range
5. Capillary specs
6. Sensing bulb specs
7. Valve type, action, ends, etc.
8. Other features
9. Shipping & invoicing instructions

RT-1009 SERIES

The RT-1009 series is an extension of the RT-1003 series. It is a workhorse design suitable for most applications as is the RT-1003 series. It is especially designed for those applications where a fully opened or a fully closed valve (or full by-pass or cooling flow) is desirable regardless of the setpoint or the temperature at the sensing bulb. The RT-1009 series stem can be manually cranked up or down to obtain the desired valve position on either a two-way or three-way valve. When automatic (thermostatic) control, at the previous setpoint setting is again desired, the stem can be cranked back to where the stem pointer indicates "THERMOSTATIC." The RT-1009 series has a hand wheel for setpoint adjustment that is completely independent of the manual override crank.

VALVE SIZING

Valve sizing is critical to control and life of regulator.

Use Robertshaw's "FLO-RULE" Valve Sizing Slide Rule and valve Cv chart or contact our representative or factory.

(Continued next column)

The application requirement can frequently be satisfied by one or two sizes smaller valve than the supply pipeline size.

Note 1 - IMPORTANT - If valve seat leakage can cause a problem or a hazard, the following should be taken into account. Maximum leakage of new valves: single-seated Types A, WA - 0.05% of full open valve capacity; single-seated balanced Types MA, MAS - 0.01% of full open valve capacity; double-seated Type FA - 0.5% of full open valve capacity; single seated Type WD - 1% of full open valve capacity. This leakage will usually increase somewhat as the valve seats wear in service.

Note 2 - IMPORTANT - Damage to or failure of the thermal element with loss of charge will ordinarily result in the regulator going to the "cold" position. The valve stem moves "up" (toward the bellows) - thus a "direct-acting" valve will fully open, a "reverse-acting" valve will close, and a 3-way valve will open the bottom port.

For cataloging and pricing purposes, regulators RT-1009-A1, B1, C1 are detailed with direct-acting valves for heating service, 8 ft. capillary (copper tube/ brass armor), 12B type (threaded bushing) copper sensing bulb,

brass frame and other non-listed parts of non-ferrous metals. Alternate specifications are available.

Valve size, Inches	1/4	3/8	1/2	3/4	1	1-1/4	1-1/2	2	2-1/2	3	4
Valve type, Direct acting (closes with rising temperature at bulb)	Single-Seated			Single-Seated, Balanced				Double Seated, Semi-Balanced			
	A	A	A	MA	MA	MA	MA	MA	FA	FA	FA
End Connections	1/2" Screwed Unions			Screwed Unions				Flanged (125 lbs. ANSI)			
Valve trim (poppets and seats), material	S. S.	S. S.	S. S.	S. S.	S. S.	S. S.	S. S.	S. S.	S. S.	S. S.	S. S.
Valve stem (highly finished), material	S. S.	S. S.	S. S.	S. S.	S. S.	S. S.	S. S.	S. S.	S. S.	S. S.	S. S.
Stem packing (spring loaded chevrons)	Teflon	Teflon	Teflon	Teflon	Teflon	Teflon	Teflon	Teflon	Teflon	Teflon	Teflon
Valve body material	Bronze	Bronze	Bronze	Bronze	Bronze	Bronze	Bronze	Cast Iron	Cast Iron	Cast Iron	Cast Iron
Body rating, pounds	225	225	225	250	250	250	250	175	175	175	175
Pressure drop limit, psi (For higher pressures, consult our representative)	125	125	125	250	250	250	250	100	65	55	40
Full open Cv	1.0	1.6	2.1	9.5	13.0	18.6	26.0	47.8	82.5	130.0	226.0

Adjustable Ranges:

The RT-1009 series is available with any of the ranges listed below. The range should be selected so that the setpoint falls within the upper third of the range span.

Setpoint Adjustment Range	Matching Setpoint Temperature Indication
5° - 35° F.	-60° - + 80° F.
25° - 65° F.	-40° - +110° F.
45° - 85° F.	-10° - +130° F.
70° - 110° F.	10° - 160° F.
100° - 145° F.	30° - 195° F.
110° - 155° F.	40° - 205° F.
150° - 190° F.	80° - 245° F.
160° - 200° F.	100° - 240° F.
185° - 225° F.	130° - 265° F.
195° - 230° F.	130° - 280° F.
220° - 260° F.	160° - 310° F.
240° - 280° F.	170° - 330° F.
255° - 295° F.	180° - 350° F.

ALTERNATES INCLUDE

Capillary:

- Length* 1 ft. to 50 ft. or more
- Materials* Copper tube with brass armor (standard) or 304 stainless steel tube with SS braid

Sensing Bulbs:

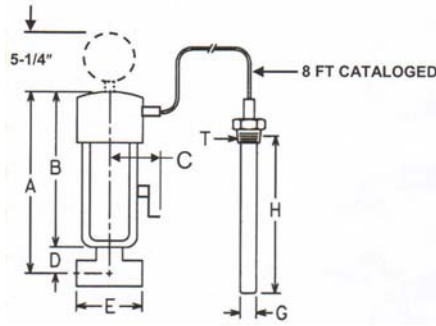
- Type 12B* Copper (standard)
- Type 12BP* 316 stainless steel
- Type 12B or 12BP* with "dead extension"
- Type 54* Copper, externally finned, Plain (54A) Bushed (54J) Flanged (54K)

- Type 6* Plain for open vessels, Copper with copper tube and brass armor (6A) 316 SS with 304 SS tube and no braid (6AP)

Separable Wells (for sensing bulb protection or ease of removal):

- Materials* 316 SS
- Type GA or GA with lagging extension*..... Mounting thread one size larger than bulb size
- Type GB* Mounting thread same size as bulb size

Valves: Types A, FA, MA, MAS, WA, WD as illustrated



**RT-1009 Series
Dimensions, Shipping Weights and Sensing Bulb Sizes**

Valve Size, Inches	1/4	3/8	1/2	3/4	1	1-1/4	1-1/2	2	2-1/2	3	4
Direct-Acting Valve, Type	A	A	A	MA	MA	MA	MA	MA	FA	FA	FA
A	15-1/16	15-1/16	15-1/16	16-15/16	16-15/16	17-1/8	17-5/8	18-7/16	18-1/4	18-9/16	19-5/16
B	13-1/2	13-1/2	13-1/2	13-1/2	13-1/2	13-1/2	13-1/2	13-1/2	13-1/2	13-1/2	13-1/2
C	6-1/8	6-1/8	6-1/8	6-1/8	6-1/8	6-1/8	6-1/8	6-1/8	6-1/8	6-1/8	6-1/8
D	1-9/16	1-9/16	1 9/16	3-7/16	3-7/16	3-5/8	4-1/8	4-15/16	4-3/4	4-3/4	5-13/16
E	4-3/4	4-3/4	4-3/4	6-15/16	7-1/8	7-1/2	8-1/2	7	7-3/4	8-5/8	10-1/4

Regulator No.	Shipping Weight, Lbs.										
RT-1009-A1,B1,C1	33	33	35	37	40	45	50	85	105	130	160

Standard bulb for temperature ranges beginning at 120°F. or above.

G	1	1	1	1	1	1	1	1	1	1	1
H	11	11	11	11	14	14	18	18	14	18	18
T*	1	1	1	1	1	1	1	1	1	1	1

****Standard bulb for temperature ranges beginning below 120° F.**

G	1-1/4	1-1/4	1-1/4	1-1/4	1-1/4	1-1/4	1-1/4	1-1/4	1-1/4	1-1/4	1-1/4
H	18	18	18	18	20	20	24	24	20	24	24
T*	1-1/4	1-1/4	1-1/4	1-1/4	1-1/4	1-1/4	1-1/4	1-1/4	1-1/4	1-1/4	1-1/4

* Standard pipe thread.

** Bulb sizes for ranges beginning below 120° F. are necessary to provide "cross ambient" charge. This assures operation with ambient temperatures either above or below the control setting. Under some conditions, smaller bulbs may be used with lower ranges. If the larger bulb cannot be used, consult the factory or nearest representative.

SATR VALVES FOR RT-1009 SERIES

(See Valve spec sheet for full details)

Two Way			Three Way	
Style A Union Ends Single Seated Unbalanced Bronze Body SS Trim Direct Acting Sizes 1/4" – 1" Reverse Acting Sizes 1/4" – 1-1/2"	Style MA Single Seated Fully Balanced Direct Acting only SS Trim MA Sizes 3/4" – 1-1/2" Union Ends Bronze Body MA Size 2" Flanged Bronze or Cast Iron Body MAS Sizes 1" – 2" Flanged Steel Body MAS Sizes 3/4" – 1-1/2" Threaded Ends Steel Body	Style FA Double Seated Semi-Balanced Reverse Acting: 3/4" – 1-1/2" Bronze Unions, Bronze Body Bronze or Monel Trim Reverse Acting: 2" Flanged, Bronze Body Bronze or Monel Trim Reverse Acting: 2" Flanged, Cast Iron Body Bronze or SS Trim Reverse Acting: 2-1/2" – 4" Flanged, Bronze Body Monel Trim Reverse acting: 2-1/2" – 4" Flanged, Cast Iron Body SS Trim Direct Acting: 2-1/2" – 4" Flanged, Cast Iron Body SS Trim	Style WA Union Ends (2) Threaded End (Bottom) Unbalanced Sizes 1/2" – 1-1/2" Bronze Body SS Trim	Style WD Balanced Sizes 2" – 2-1/2" Flanged Bronze Body Bronze Trim



U.S.A. & Canada

Robertshaw Industrial Products

1602 Mustang Drive

Maryville, Tennessee 37801

Phone: (865) 981-3100 Fax: (865) 981-3168

<http://www.robertshawindustrial.com>

Exports

Invensys Appliance Controls

1701 Byrd Avenue

P.O. Box 26544

Richmond, Virginia 23261-6544

Phone: (804) 756-6500 Fax: (804) 756-6561

invensys®

Q-4041 (11/04)

Printed in U.S.A.