

Model 736B Probe

GENERAL DESCRIPTION

The Model 736B probe is designed as both a general duty and a heavy duty probe - each with a Teflon faced flange. Various flange sizes and pressure ratings are standard options that are readily available.

Flanges are available in either carbon steel or 316 stainless steel. Each gland is welded to the flange selected prior to assembly of the probe.

The general duty probe utilizes a 7/32" stainless steel rod with 3/8" O.D. Teflon insulation. The heavy duty probe utilizes a 15/32" stainless steel rod with 3/4" O.D. Teflon insulation. Each probe is of rigid type construction.

Other features available on the Robertshaw Model 736B probe are:

- Factory bent probes for special uses.
- Ground wire probes for use where a ground to the liquid product is hard to obtain.
- Probes with a Teflon insulated sheath which makes the sheathed portion of the probe inactive.

SPECIFICATIONS

Gland Capacitance 736BA	12 pf
736BB	20 pf
Sheath Capacitance60 pf/foot
Temperature/Pressure Rating (without ground wire option)	
736BA	-30 Hg to Flange Pressure Rating @ 120° F Derated to 100 PSI @ 350° F
736BB	-30 Hg to Flange Pressure Rating @ 100° F Derated to 0 PSI @ 350° F

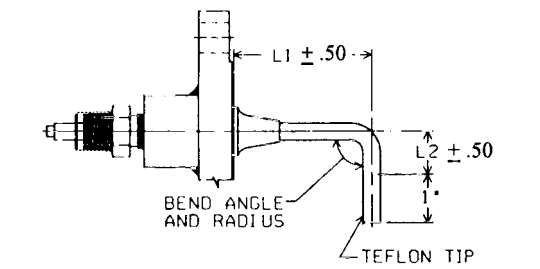
NOTE: Pressure rating for ground wire probe is 0 PSIG; probe is not leak tight. Ground wire probe should not be used with hazardous/corrosive materials requiring "leak tight" integrity.

Probe Gain (in conductive product)60 pf/foot

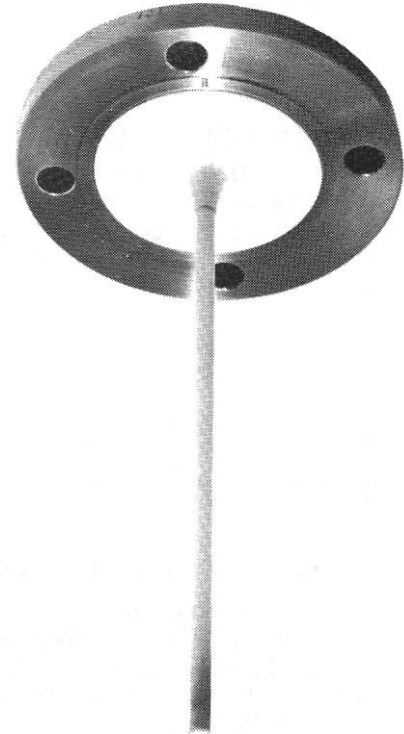
ENGINEERING DATA

Probe Rod Material (standard)	316 stainless steel
Probe Length (maximum)	20 ft.
Probe Diameter 736BA	3/8" O.D.
736BB	3/4" O.D.

Bent Probe Option



For insulated sheath option, sheath must terminate 2" or more before start of bend.



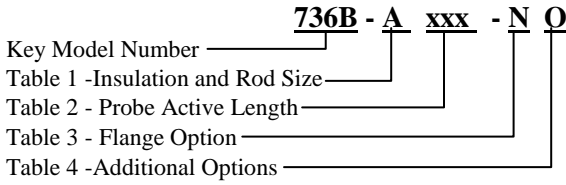
- Teflon Faced Flanged Probes
- Available in General of Heavy Duty Construction
- Lengths to 20 Feet
- Flange is Welded to Probe Gland

Minimum	Values	Bend
L1	L2	Radius
5"	4"	3'

NOTE:
Bend will line up with hole in flange unless otherwise specified by customer

ORDERING INFORMATION

Specify complete model number according to the tables below.



KEY MODEL NUMBER

Model No.	Description
736B	Flanged probes with Teflon faced flanges. Available with standard duty 3/8" O.D. insulated probes or with heavy duty 3/4" O.D. insulated probes.

Table 1 - INSULATION AND ROD SIZE

Desig.	Description
A	3/8" O.D. Teflon over a 7/32" 316 St. St. rod
B	3/4" O.D. Teflon over a 15/32" 316 St. St. rod

Table 2 - PROBE ACTIVE LENGTH

Desig.	Description
xxx	Specify active length in inches. Maximum length is 240". Insertion length is 1" longer than the active length due to the probe Teflon plug seal at the lower end.

Table 3 - FLANGE OPTION

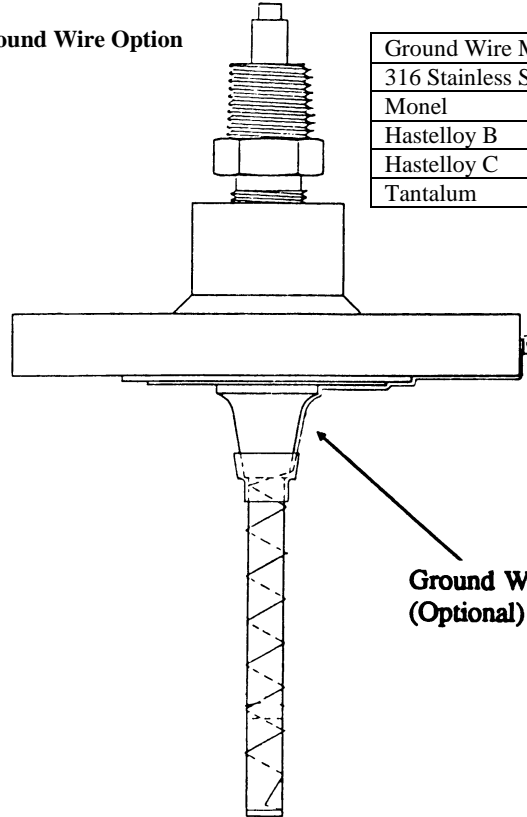
Desig.	Description
A*	1" St. St. flange, 150#, raised face
B	1" 1/2 " St. St. flange, 150#, raised face
C	2" St. St. flange, 150#, raised face
D	3" St. St. flange, 150#, raised face
E	4" St. St. flange, 150#, raised face
F*	1" St. St. flange, 300#, raised face
G	1 1/2 " St. St. flange, 300#, raised face
H	2" St. St. flange, 300#, raised face
J	3" St. St. flange, 300#, raised face
K	4" St. St. flange, 300#, raised face
L*	1" carbon steel, 150#, raised face
M	1 1/2 " carbon steel, 150#, raised face
N	2" carbon steel, 150#, raised face
P	3" carbon steel, 150#, raised face
Q	4" carbon steel, 150#, raised face
R*	1" carbon steel, 300#, raised face
S	1 1/2 " carbon steel, 300#, raised face
T	2" carbon steel, 300#, raised face
U	3" carbon steel, 300#, raised face
W	4" carbon steel, 300#, raised face

Table 4 - ADDITIONAL OPTIONS

Desig.	Description
0	None
1	Bent Probe. SPECIFY BENDING DIMENSIONS.
2	Insulated St. St. sheath. SPECIFY SHEATH LENGTH.
3*	round Wire. SPECIFY MATERIAL.
4*	Combination of 2 and 3 above.
5*	Combination of 1 and 3 above.

* Pressure rating is 0 PSIG: probe is not leak tight with around wire option.

Ground Wire Option



Ground Wire Materials
316 Stainless Steel
Monel
Hastelloy B
Hastelloy C
Tantalum



Robertshaw Industrial Products
 1602 Mustang Drive
 Maryville, Tennessee 37801
 Phone: (865) 981-3100 Fax: (865) 981-3168
<http://www.robertshawindustrial.com>